



Industrial Thermometers

Solar Industrial Thermometer

Solar Powered Industrial Thermometer

Type TI.D01

Thermometers

Application

Specifically designed for HVAC, plumbing, and refrigeration applications. Designed as an alternative to the old mercury-in-glass industrial thermometer. It does not use mercury and may be used in applications requiring fast, accurate, and easy-to-read temperature indications.

Accuracy

1% of reading or 1°, whichever is greater

Range

-50/300°F (-45/150°C)

Resolution

1/10° between -19.9/199.9°F (-28/93°C)

Lux Rating

10 Lux (one foot candle)

Standard Features

Update

10 seconds

Ambient Operating Temperature

-30/140°F (-35/60°C)

Humidity

100% maximum

Ambient Temperature Error

None

Case

High-impact ABS

Display

3/8" LCD Digits, wide ambient temperature range

Sensor

Glass passivated thermistor

Stem

Material: Aluminum

Length: 3 1/2" and 6"

Available with and without brass thermowell

Stem Assemblies

Fully interchangeable with industrial glass thermometers

Warranty

Limited one year warranty as stated in WIKA's Terms & Conditions of Sale

Order Options

Air duct flange

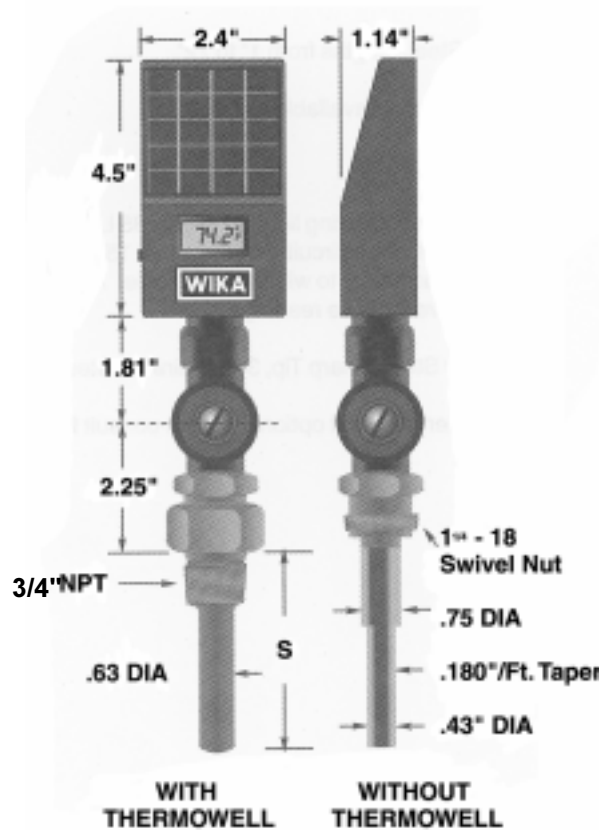


With Thermowell	Without Thermowell	With Airduct Flange	Stem	S Dim.
D010301	D010300	D010304	3 1/2"	3 1/2"
D010601	D010600	D010604	6"	6"

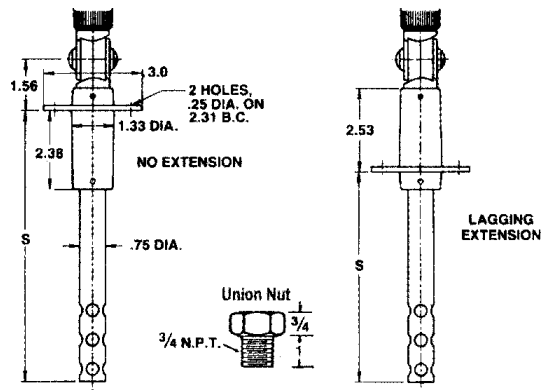
ATM TI.D01
(ATM200.01)

Dimensions:

Solar Powered Industrial Thermometer



Optional Air Duct Flange



THE MEASURE OF
Total Performance™

Ordering Information:

State computer part number (if available) / type number / size / range / connection size and location / options required.

Specifications given in this price list represent the state of engineering at the time of printing. Modifications may take place and the specified materials may change without prior notice.

05/01



WIKAI Instrument Corporation

1000 Wiegand Boulevard

Lawrenceville, Georgia 30043-5868

Tel: 770-513-8200 Fax: 770-338-5118

<http://www.wika.com> e-mail: info@wika.com