



Temperature Transmitters

Application

The WIKAI Digital thermometer provides precise temperature indication to remote locations. Features include a 1000 Ohm RTD sensor, large easy to read display and IP65 weather protection for wet or dusty environments. The WIKAI Digital Thermometer is available in battery powered or loop powered versions and a choice of mounting designs. Type DR220 include a transmitter output option; this provides both a local indication and a linearized 4-20mA output for a remote data acquisition system.

Standard stem lengths for the DR200 series include 4", 6" and 9", other lengths available on request. The DR220 features a spring-loaded stem, these units must be installed in a thermowell.

General Specifications

Accuracy

Display and Sensor: 0.5% of measurement \pm 1 digit

Display Size

Size: 0.71" (18mm)

Update Rate: 0.5 seconds

Temperature Probe

Sensor: 1000 W Platinum RTD

Diameter: 0.25"

Material: Stainless Steel

Standard Lengths: 4", 6", and 9"

Construction

Case diameter: 4" (100mm)

Housing: Stainless Steel

Window: Acrylic

Weight: approx. 2 lbs.

Environmental

Weather Protection: IP65

Vibration: 10 to 500 Hz 5g IEC 68 2-6

Shock: DIN IEC 68 2-27 $g_n = 15$

Warranty

3 years electronics only

Loop Powered Thermometer

Model DRX2X

Transmitter Voltage Requirement: 10 to 30 Vdc

Maximum Output Load: $R_{max} \leq (V_s - 10)/0.021A$

Power Supply Effect: 0.025% of

Measurement Span / Volts

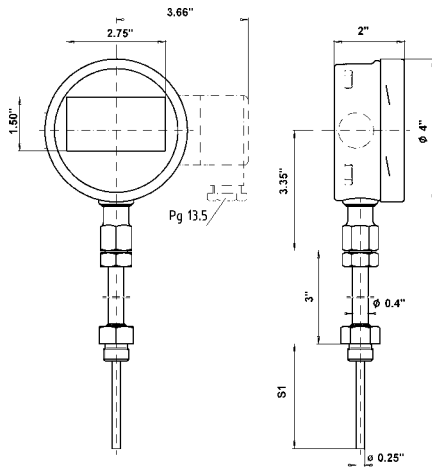
Transmitter Accuracy: 0.5% of Range

Operating Temperature: 14°F to 158°F

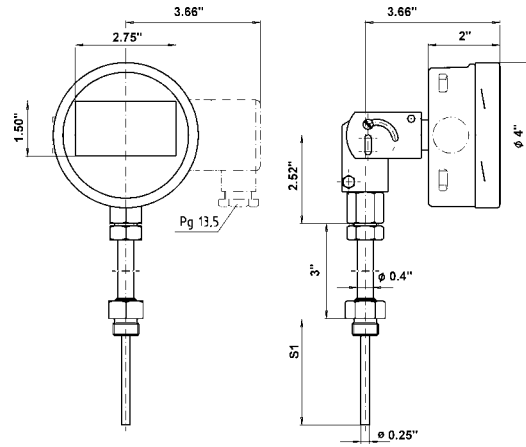


Type DR220

Dimensions:



Type DR2X0 with Lower mount connection



Type DR2X0 with All-Angle connection

**THE MEASURE OF
Total Performance™**

Ordering Information:

State computer part number (if available) / type number / size / range / connection size and location / options required.

Specifications given in this price list represent the state of engineering at the time of printing. Modifications may take place and the specified materials may change without prior notice



WIKAI Instrument Corporation
1000 Wiegand Boulevard
Lawrenceville, Georgia 30043-5868
Tel: 770-513-8200 Fax: 770-338-5118
<http://www.wika.com> e-mail: info@wika.com