



# Bourdon Tube Pressure Gauges Solid-Front Turret Style Thermoplastic Case

Process Industry Series • 316SS Wetted Parts • Type 2X2.34 DM

## Pressure Gauges

---

### Application

Industrial type suitable for corrosive environments where the fluid medium does not clog connection or corrode wetted part material. Field convertible to a liquid filled gauge for severe vibration conditions. Solid front, blow-out back case design meets safety requirements of ASME B40.1.

### Size

4½" (115 mm) dial size

### Accuracy

+ 0.5% of span (ASME B40.1 Grade 2A)

### Ranges

Vacuum / Compound to 30"HG / 0 / 400 PSI  
Pressure from 10 PSI to 30,000 PSI  
or other equivalent units of pressure or vacuum

### Working Range

Steady: Full scale value  
Fluctuating: 0.9 x full scale value  
Short time: 1.5 x full scale value

### Operating Temperature

Ambient: -40°F to 150°F (-40°C to 65.6°C) <sup>Note 1</sup>  
Media: 250°F - Liquid filled  
300°F - Dampened Movement

### Temperature Error

Additional error when temperature changes from reference temperature of 68°F (20°C) +2.3% per 100°F (55.5°CΔT) rising or falling. Percentage of span.

## Standard Features

### Connection

Material: 316 stainless steel  
Lower mount (LM)  
1/4" NPT or 1/2" NPT with M4 internal tap

### Bourdon Tube

Material: 316 stainless steel  
30" Hg (Vac) to 1000 PSI C-type  
1500 PSI to 10,000 PSI helical type

### Movement

Stainless steel  
Internal stop pin at 1.3 times full scale value  
Overload and underload stops- standard

### Shock & Vibration

Shock resistance up to 100G  
Optional: up to 400G  
Optional: vibration resistance up to 10G

### Dial

White aluminum with black lettering. Stop pin at 6 o'clock

### Pointer

Adjustable black aluminum



### Case

Black glass reinforced thermoplastic (PBTP)  
Solid front, blow-out back  
Turret style case with built in rear flange lugs

### Weather Protection

Weather resistant (NEMA 3 / IP 54) - dry case  
Weather tight (NEMA 4X / IP 65) - liquid-filled case

### Standard Scale

PSI

### Window Gasket

Buna-N

### Window

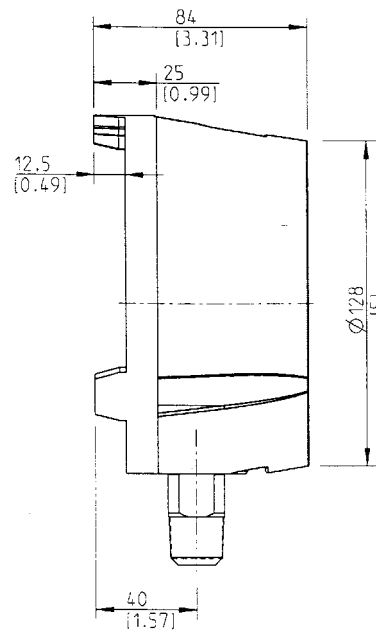
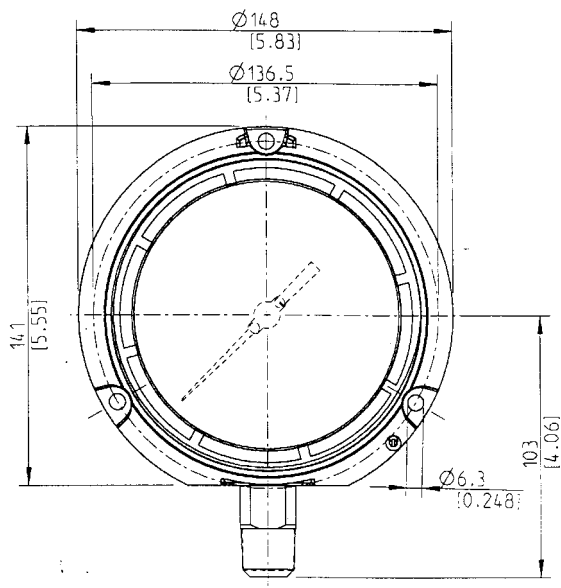
Acrylic

### Order Options (min. order may apply)

Overpressure protection up to 5x scale (limited ranges only)  
Threaded restrictor  
Panel mounting adaptor kit (field assembled)  
Glycerine, silicone, or fluorolube case filling I  
Cleaned for oxygen service  
Glass window  
Safety glass window  
Externally adjustable red drag pointer (max. hand) <sup>Note 1</sup>  
Externally adjustable red mark pointer  
Special connections limited to socket square size  
DIN standards  
Custom dial layout  
Other pressure scales available:  
Bar, kPa, MPa, Kg/cm<sup>2</sup>, and dual scales  
Alarm contact switches (magnetic or inductive) <sup>Note 1</sup>  
Shock resistant up to 400G  
Vibration resistant up to 10G  
Luminescent dial  
Alloy steel socket connection (22X.34)  
Chemical seals available

Note 1 Response time increased dependent on pressure range

**Dimensions:**



**Ordering Information:**

State computer part number (if available) / type number / size / range / connection size and location / options required.

Specifications given in this price list represent the state of engineering at the time of printing. Modifications may take place and the specified materials may change without prior notice



**WIKAL Instrument Corporation**  
1000 Wiegand Boulevard  
Lawrenceville, Georgia 30043-5868  
Tel: 770-513-8200 Fax: 770-338-5118  
<http://www.wika.com> e-mail: [info@wika.com](mailto:info@wika.com)