



Bourdon Tube Pressure Gauges

Field Repairable

All Stainless Steel Construction

Receiver Gauge • Process Industry Series Dry Case

Type 232.54RC

Pressure Gauges

Application

Suitable for corrosive environments compatible with 316 stainless steel wetted parts, dry and liquid fillable case, where vibration and/or pressure pulsation occur in liquid or gaseous media which will not obstruct the pressure system. Ideal for pressure gauge / chemical seal combinations where recalibration is required.

Sizes

2½" & 4" (63 & 100mm)

Accuracy

2½": ±1.5% of span

4": ±1.0% of span (ASME B40.1 Grade 1A)

Ranges

Pressure from 3...15psi
or other equivalent units of pressure or vacuum

Working Range

2½" Steady: 3/4 of full scale value
Fluctuating: 2/3 of full scale value
Short time: full scale value

4" Steady: Full scale value
Fluctuating: 0.9 x full scale value
Short time: 1.3 x full scale value

Operating Temperature

Ambient: -40°F to 140°F (-40°C to 60°C) ^{Note 1}

Media: max. 212°F (+100°C)

Temperature Error

Additional error when temperature changes from reference temperature of 68°F (20°C) ±0.4% for every 18°F (10°C) rising or falling. Percentage of span.

Standard Features

Connection

Material: 316 stainless steel

Lower mount (LM)

Center back mount (CBM) 2½"

Lower back mount (LBM) 4"

1/4" NPT or 1/2" NPT limited to wrench flat area

Bourdon Tube

Material: 316 stainless steel

Movement

300-series stainless steel

Dial

White aluminum with black lettering. 2½" with stop pin.

Pointer

Black aluminum, friction adjustable

Case

304 stainless steel with vent plug and polished stainless steel bayonet ring. EPDM o-ring between case and connection (4"). Welded case/socket connection (2½")



Weather Protection

Weather resistant (NEMA 3 / IP 54) - dry case

Weather tight (NEMA 4X / IP 65) - liquid-filled case

Standard Scale

0/100% linear

0/10 sq. rt.

Window Gasket

Buna-N

Window

Laminated safety glass

Case Filling

232.54 - none

233.54 - glycerine

ORDER OPTIONS (min. order may apply)

Custom dial layout

Front flange stainless steel polished

Rear flange stainless steel

u-clamp for panel mounting

316 SS threaded restrictor

Silicone or fluorolube case filling^(NOTE 1) (Type 233.54)

Acrylic or flat glass window

Special connections limited to wrench flat area

DIN standards

Cleaned for oxygen service

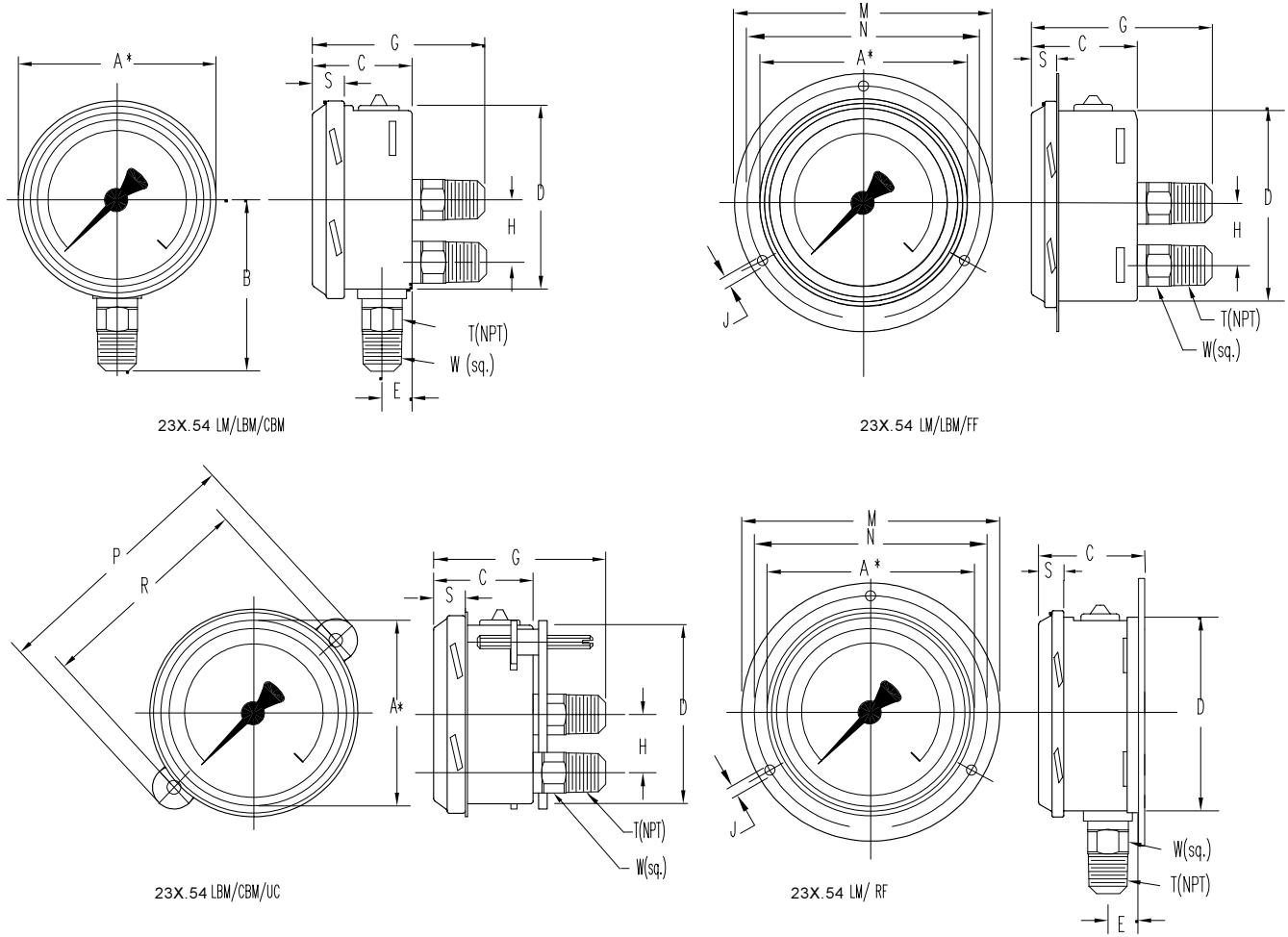
Note 1 Temperature Ranges (Liquid filled gauges)

Glycerine: -4°F to 140°F (-20°C to 60°C)

Silicone: -40°F to 140°F (-40°C to 60°C)

APM 232.54RC
(APM 02.14)

Dimensions:



A* NOMINAL SIZE

TYPE	WEIGHT	KEY	A*	B	C	D	E	G	H	J	M	N	P	R	S	T	W
232.54 2.5"	0.36 lbs. + 0.08 lbs. if filled	mm	63	54	33.5	62	13	55.5	--	3.6	85	75	87	72	12	--	14
		in	2.5	2.13	1.32	2.44	0.51	2.19		0.14	3.35	2.95	3.43	2.83	0.47	1/4"	0.55
232.54 4"	1.10 lbs. + 0.66 lbs. if filled	mm	100	87	49.5	100	15.5	81	30	4.8	132	116	125	110	15	--	22
		in	4	3.43	1.95	3.94	0.61	3.19	1.18	0.19	5.2	4.57	4.92	4.33	0.59	1/2"	0.87

NOTE: For 4" gauges with 1/4" NPT connections, reduce B dimension by 5 mm (0.2 in.).

**THE MEASURE OF
Total Performance™**

Ordering Information:

State computer part number (if available) / type number / size / range / connection size and location / options required.

Specifications given in this price list represent the state of engineering at the time of printing. Modifications may take place and the specified materials may change without prior notice



WIKAI Instrument Corporation
 1000 Wiegand Boulevard
 Lawrenceville, Georgia 30043-5868
 Tel: 770-513-8200 Fax: 770-338-5118
<http://www.wika.com> e-mail: info@wika.com