



Bourdon Tube Pressure Gauges

Paper Machine Gauge

Sealed Solid Brass Case

Copper Alloy Wetted Parts

Industrial Series Dry Case • Type 21X.40PM

Pressure Gauges

Application

Heavy-duty instrument intended for adverse service conditions where pulsation or vibration exists such as in pulp & paper industry equipment. Fluid medium which does not clog connection port or corrode copper alloy.

Size

3½" (80 mm)

Accuracy

± 2/1/2% of span (ASME B40.1 Grade A)

Ranges (All ranges not stocked)

Vacuum / Compound to 30"HG / 0 / 200 PSI

Pressure from 15 PSI to 15,000 PSI

or other equivalent units of pressure or vacuum

Working Range

Steady: 3/4 full scale value

Fluctuating: 2/3 full scale value

Short time: full scale value

Operating Temperature

Ambient: -40°F to 160°F (-40°C to 71°C)

Media: max. 140°F (+60°C) ≤ 1000 PSI
max. 212°F (+100°C) ≥ 1500 PSI

Temperature Error

Additional error when temperature changes from reference temperature of 68°F (20°C) ±0.4% for every 18°F (10°C) rising or falling. Percentage of span.

Standard Features

Connection

Material: copper alloy
Lower back mount (LBM)
1/4" NPT

Bourdon Tube

Material: copper alloy
30"Hg (Vac) to 1000 PSI C-type (soldered)
Higher ranges to 15,000 PSI helical type (brazed)

Movement

Copper alloy

Dial

White aluminum with stop pin and black and red lettering

Pointer

Black aluminum

Case

Gold painted forged brass with integral connection and blow-out plug with polished stainless steel front flange. Suitable for liquid filling.

Standard Scales

PSI

Weather Protection

Weather resistant (NEMA 4 / IP 54)



Window Gasket

Buna-N

Window

Acrylic

Order Options (min. order may apply)

Brass threaded or press fit restrictor

Flat glass window

Safety glass window

Special connections limited to wrench flat area

Custom dial layout

DIN standards

Other pressure scales available:

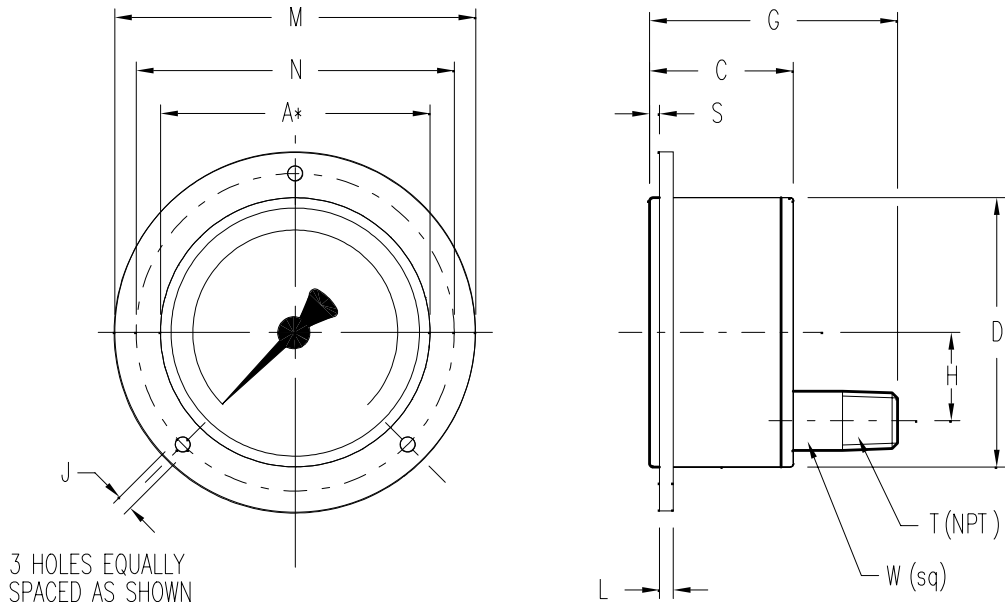
Bar, kPa, MPa, Kg/cm² and dual scales

Glycerine, silicone or fluorocarbon case filling (Type 213.40PM)

APM 21X.40PM

(APM 02.06.2)

Dimensions:



A* NOMINAL SIZE

TYPE/SIZE	WEIGHT	KEY	A*	C	D	G	H	J	L	M	N	S	T	W
21X.40 3.5" LBM/FF	1.47 lbs.	mm	80	40	80	65	23	4.8	2	127	112	2.5	--	22
		in	3.5	1.57	3.15	2.56	0.91	0.19	.08	5.0	4.41	0.10	1/4"	0.87

THE MEASURE OF
Total Performance™

Ordering Information:

State computer part number (if available) / type number / size / range / connection size and location / options required.

Specifications given in this price list represent the state of engineering at the time of printing. Modifications may take place and the specified materials may change without prior notice

05/01



WIKAI Instrument Corporation
1000 Wiegand Boulevard
Lawrenceville, Georgia 30043-5868
Tel: 770-513-8200 Fax: 770-338-5118
<http://www.wika.com> e-mail: info@wika.com