



# Bourdon Tube Pressure Gauges Solid-Front Turret Style Thermoplastic Case

Receiver Gauge • Process Industry Series • Brass Wetted Parts •  
Type 212.34RC

## Pressure Gauges

### Application

Industrial type suitable for corrosive environments where the fluid medium does not clog connection or corrode wetted part material. Field convertible to a liquid filled gauge for severe vibration conditions. Solid front, blow-out back case design meets safety requirements of ASME B40.1.

### Size

4½" (115 mm) dial size

### Accuracy

± 0.5% of span (ASME B40.1 Grade 2A)

### Ranges (All ranges not stocked)

Pressure 3...15psi

### Working Range

Steady: Full scale value  
Fluctuating: 0.9 x full scale value  
Short time: 1.5 x full scale value

### Operating Temperature

Ambient: -40°F to 150°F (-40°C to 65.6°C)  
Media: max. 140°F (60°C)

### Temperature Error

Additional error when temperature changes from reference temperature of 68°F (20°C) ±1.5% per 100°F (37.8°C) rising or falling. Percentage of span.

## Standard Features

### Connection

Copper alloy  
Lower mount (LM)  
1/4" NPT or 1/2" NPT with M4 internal tap

### Bourdon Tube

Material: Copper alloy  
C-type

### Movement

Copper alloy  
Internal stop pin at 1.3 times full scale value  
Overload and underload stops- standard

### Shock & Vibration

Shock resistance up to 100G

### Cycle Testing

400,000 cycles, depending upon pressure range

### Dial

White aluminum with black lettering. Stop pin at 6 o'clock

### Pointer

Adjustable black aluminum



### Case

Black glass reinforced thermoplastic (PBTP)  
Solid front, blow-out back  
Turret style case with built in rear flange lugs

### Weather Protection

Weather resistant (NEMA 3 / IP 54) - dry case

### Standard Scales

0/100% linear  
0/10 sq. rt.

### Window Gasket

Buna-N

### Window

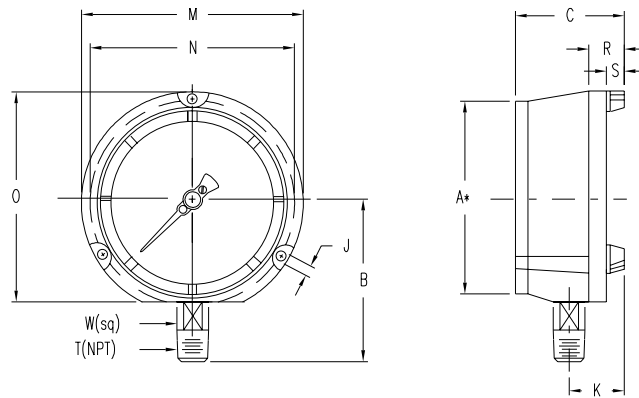
Acrylic

### Order Options (min. order may apply)

Threaded restrictor  
Panel mounting adaptor kit (field assembled)  
Cleaned for oxygen service  
Glass window  
Safety glass window  
Special connections limited to wrench flat area  
DIN standards  
Custom dial layout

**APM 212.34RC**  
**(APM 02.10)**

**Dimensions:**



A\* Nominal Size

| TYPE           | WEIGHT | KEY | A*  | B (1) | C    | J    | K    | M    | N     | O    | R    | S    | T    | W    |
|----------------|--------|-----|-----|-------|------|------|------|------|-------|------|------|------|------|------|
| 212.34RC<br>LM | 3 lbs. | mm  | 114 | 103   | 82   | 6.0  | 38   | 148  | 136.5 | 141  | 25   | 12.5 | --   | 22   |
|                |        | in  | 4.5 | 4.06  | 3.23 | 0.24 | 1.50 | 5.83 | 5.37  | 5.55 | 0.98 | 0.49 | 1/2" | 0.87 |

(1) Gauges with 1/4" NPT connection - dimension changes to 97mm / 3.81 in.

THE MEASURE OF  
**Total Performance™**

**Ordering Information:**

State computer part number (if available) / type number / size / range / connection size and location / options required.

Specifications given in this price list represent the state of engineering at the time of printing. Modifications may take place and the specified materials may change without prior notice

05/01



**WIKAI Instrument Corporation**  
1000 Wiegand Boulevard  
Lawrenceville, Georgia 30043-5868  
Tel: 770-513-8200 Fax: 770-338-5118  
<http://www.wika.com> e-mail: [info@wika.com](mailto:info@wika.com)