



Bourdon Tube Pressure Gauges

Hinged-Ring Style - Aluminum Case

Process Industry Series • Brass Wetted Parts • Type 212.25

Pressure Gauges

Application

Industrial type suitable for corrosive environments where the fluid medium does not clog connection or corrode wetted part material. Solid front, blow-out back case design meets safety requirements of ASME B40.1.

Size

4½" & 6" dial size

Accuracy

± 0.5% of span (ASME B40.1 Grade 2A)

Ranges (All ranges not stocked)

Vacuum / Compound to 30"HG / 0 / 200 PSI

Pressure from 15 PSI to 1,000 PSI

or other equivalent units of pressure or vacuum

Working Range

Steady: Full scale value

Fluctuating: 0.9 x full scale value

Short time: 1.3 x full scale value

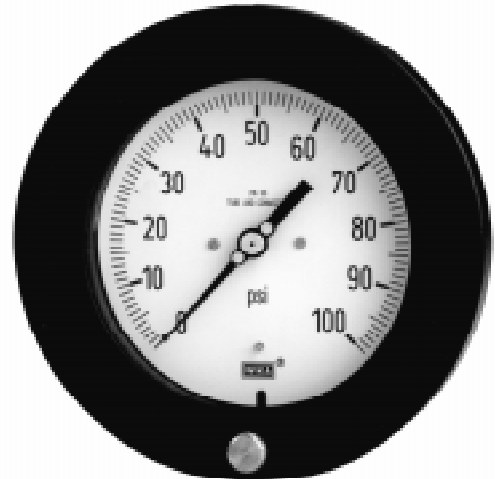
Operating Temperature

Ambient: -40°F to 140°F (-40°C to 60°C)

Media: max. 212°F (+100°C)

Temperature Error

Additional error when temperature changes from reference temperature of 68°F (20°C) ±0.4% for every 18°F (10°C) rising or falling. Percentage of span.



Standard Features

Connection

Material: Copper alloy

Lower back mount (LBM)

1/4" NPT or 1/2" NPT limited to wrench flat area with M4 internal tap

Bourdon Tube

Material: Copper alloy

30" Hg (Vac) to 1000 PSI C-type

Movement

Stainless steel

Internal stop pin at 1.3 times full scale value

Dial

White aluminum with black lettering. Stop pin at 6 o'clock

Pointer

Adjustable black aluminum

Case

Black-painted aluminum with 3 threaded mounting bolts

Solid front, blow-out back. 304SS blow-out back plate.

Hinged ring

Black-painted steel with knurled clamping screw

Weather Protection

Weather resistant (NEMA 4X / IP 54)

Standard Scale

PSI

Window Gasket

Silicone rubber

Window

Flat glass

Order Options (min. order may apply)

Receiver gauge (3-15 PSI and 0/100% or 0/10 sq. rt.)

Threaded restrictor

Cleaned for oxygen service

Safety glass window (4½" only)

Special connections limited to wrench flat area

DIN standards

Custom dial layout

Other pressure scales available:

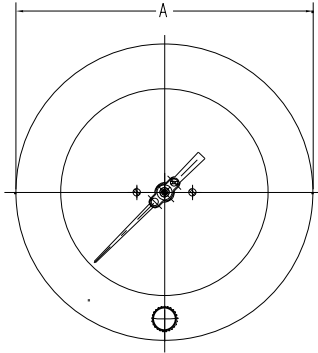
Bar, kPa, MPa, Kg/cm², and dual scales

APM 212.25
(APM 02.25)

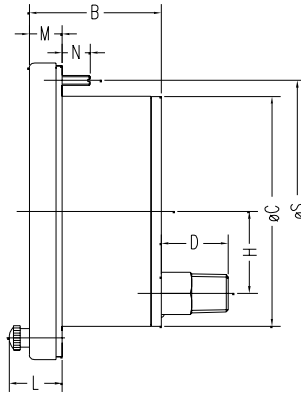
Dimensions:

Hinged ring cases are supplied standard with three threaded bolts (N) for panel mounting:

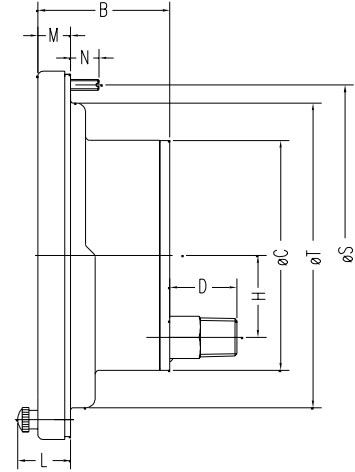
- 4½" 10-24 UNC Threads
- 6" 1/4-20 UNC Threads



4½" & 6" Front View



4½" Side View



6" Side View

TYPE	WEIGHT	KEY	A*	B	C	D	H	L	M	N	T	S
212.25 4.5"	2.5 lbs.	in	6.09	2.70	4.73	1.37	1.63	1.08	0.67	0.75	--	5.38
		mm	154.7	68.6	120	35	41.4	27.4	17	19	--	137
212.25 6"	3.0 lbs.	in	7.56	2.70	4.73	1.37	1.63	1.08	0.67	0.75	6.26	7
		mm	192	68.6	120	35	41.4	27.4	17	19	159	178

NOTE: Gauges with 1/4" NPT connection - dimension changes to 1.18 in. / 30mm

**THE MEASURE OF
Total Performance™**

Ordering Information:

State computer part number (if available) / type number / size / range / connection size and location / options required.

Specifications given in this price list represent the state of engineering at the time of printing. Modifications may take place and the specified materials may change without prior notice



WIKAI Instrument Corporation
 1000 Wiegand Boulevard
 Lawrenceville, Georgia 30043-5868
 Tel: 770-513-8200 Fax: 770-338-5118
<http://www.wika.com> e-mail: info@wika.com