



Bourdon Tube Pressure Gauges

ABS Plastic or Painted Steel Case

Copper Alloy Wetted Parts

Center Back Mount Standard

Series Type 111.12

Pressure Gauges

Application

Fluid medium which does not clog connection port or corrode copper alloy. Example: hydraulic and pneumatic systems, pumps, compressors, water systems, regulators.

Sizes (All sizes not stocked)

1½", 2", 2½" and 4" (40, 50, 63 and 100 mm)
3½" (94mm) with u-clamp only

Accuracy

± 3/2/3% of span (ASME B40.1 Grade B)

Ranges (All ranges not stocked)

Vacuum/Compound to 30" HG/0/200 psi
Pressure from 15 psi to 6000 psi
(max. 600 psi for 3½" size) or other equivalent of pressure or vacuum

Working Range

Steady: 3/4 of full scale value
Fluctuating: 2/3 of full scale value
Short time: full scale value

Operating Temperature

Ambient: -40°F to 140°F (-40°C to 60°C)
Media: max. 140°F (+60°C)

Temperature Error

Additional error when temperature changes from reference temperature of 68°F (20°C) ±0.4% for every 18°F (10°C) rising or falling. Percentage of span.

Standard Features

Connection

Material: copper alloy
Center back mount (CBM)
1/8" or 1/4" NPT

Bourdon Tube

Material: copper alloy
30" Hg (Vac) to 600 psi C-type
800 psi to 6000 psi helical type

Movement

Copper alloy

Dial

White plastic with stop pin (1½", 2" & 2½")
White aluminum with stop pin (3½", 4")
Black or black and red lettering

Pointer

Black ABS plastic
(3½" black aluminum)

Case

Black ABS plastic (1½", 2" & 2½")
Black painted steel (3½" & 4")

Standard Scales

1½" psi, psi/kg/cm²
2" psi, psi/kpa, psi/kg/cm²
2½" psi/kpa, psi/kg/cm²
3½" psi
4" psi/kpa, psi/kg/cm²



Bezel

None (1½", 2", 2½", & 4")
Black-painted steel (3½" & 4")

Window

Snap-in acrylic (2½", & 4")
Threaded polycarbonate (3½")

U-clamp Option

1½": steel zinc plated u-clamp brackets with two threaded studs and ss polished profile ring
2" & 2½": steel zinc plated u-clamp brackets with two threaded studs and steel chrome plated profile ring
3½": steel zinc plated j-clamps, without ring

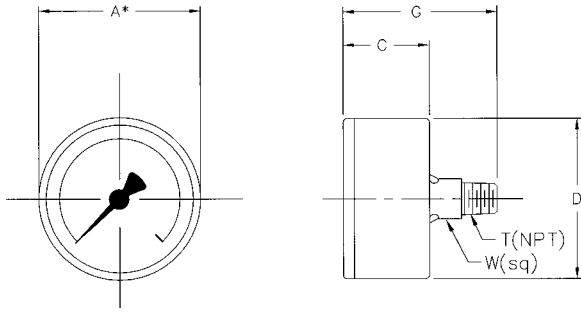
Order Options (min. order may apply)

Front flange (except for size 3½")
Accuracy ± 2/1/2% of span (ASME B40.1 Grade A)
Brass threaded or press fit restrictor
Plastic adaptor ring for non-metric panel cutout (2", 2½")
Slip-fit or friction ring (not 3½")
Case with blow-out plug (3½")
Glass window (not 3½")
Black painted steel case
Stainless steel case (not 3½")
Special case colors
Special connections limited to wrench flat area
Cleaned for oxygen service
Nickel plated connection
Medical specification
Rubber cover (2, 2½")
Custom dial layout
Other pressure scales available:
Bar, kPa, Mpa, Kg/cm² and dual scales
DIN standards
Red set pointer on aluminum dial or snap-on acrylic window (not 3½")
Red drag pointer (2½" only) (max. hand)

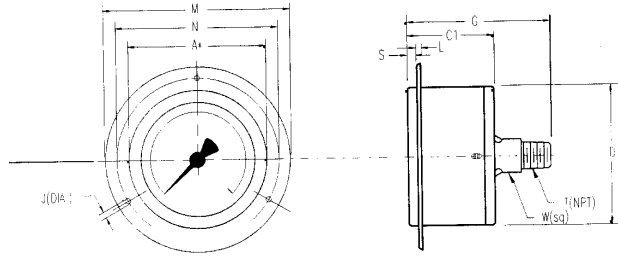
APM111.12

(APM01.01)

Dimensions:



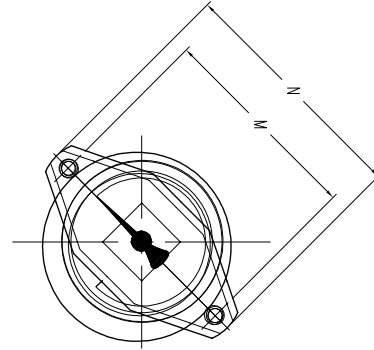
111.10 CBM



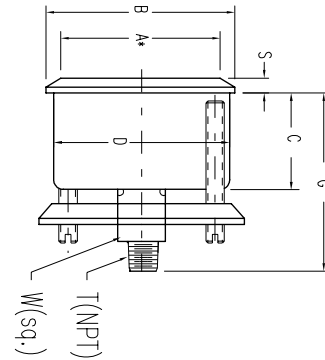
111.10 CBM / FF

A* Nominal Size

TYPE/SIZE	WEIGHT	KEY	A	C1	D	G (1)	T	W (2)
111.10 1.5"	0.16 lbs.	mm	40	26	41	46.5	1/8" or	14
		in	1.57	1.02	1.61	1.83	1/4" NPT	0.55
111.10 2"	0.22 lbs.	mm	50	26.5	49	47	1/8" or	14
		in	1.97	1.04	1.93	1.87	1/4" NPT	0.55
111.10 2.5"	0.29 lbs.	mm	63	27.5	61.5	48	1/8" or	14
		in	2.48	1.08	2.42	1.89	1/4" NPT	0.55
111.10 4"	0.46 lbs.	mm	100	31	99	49	1/8" or	14
		in	3.94	1.22	3.9	1.93	1/4" NPT	0.55



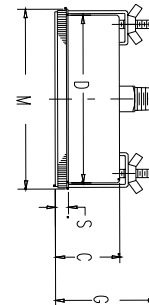
	Weight	Key	A*	C1	D	G(1)	J	L	M	N	S	T	W
111.10 2" CBM/FF	0.30 lbs.	mm	50	26.5	55	48	3.6	2	71	60	3.8	1/8" or	14
		in	1.97	1.04	2.17	1.89	0.14	0.08	2.8	2.36	0.15	1/4" NPT	.55
111.10 2.5" CBM/FF	0.40 lbs.	mm	63	27.5	68	52.1	3.6	2	85	75	3.8	1/8" or	14
		in	2.48	1.08	2.68	2.05	0.14	0.08	3.35	2.95	0.15	1/4" NPT	.55



A* NOMINAL SIZE

	WEIGHT	KEY	A*	B	C1	D	G	M	N	T	W
111.12 1.5" CBM/UC	0.27 lbs.	mm	40	44	24	40	45	47	59	1/8" or	14
		in	1.5	1.73	0.95	1.57	1.77	1.85	2.32	1/4" NPT	.55
111.12 2" CBM/UC	0.33 lbs.	mm	50	54	24	49	47	57	70	1/8" or	14
		in	2.0	2.13	0.95	1.93	1.85	2.24	2.76	1/4" NPT	.55
111.12 2 1/2" CBM/UC	0.35 lbs.	mm	63	67	26	62	53	78	91	1/8" or	14
		in	2.5	2.64	1.02	2.44	2.09	3.07	3.58	1/4" NPT	.55
111.12 3 1/2" CBM/UC	0.55 lbs.	mm	80	100	36	93	57	100	--		14
		in	3.5	3.93	1.42	3.66	2.24	3.93	--		1/4" NPT

NOTE: (1) For gauges with 1/8" NPT connections, subtract 0.08 inches (2mm) from G dimension.



**THE MEASURE OF
Total Performance™**

Ordering Information:

State computer part number (if available) / type number / size / range / connection size and location / options required.

Specifications given in this price list represent the state of engineering at the time of printing. Modifications may take place and the specified materials may change without prior notice



WIKAI Instrument Corporation
 1000 Wiegand Boulevard
 Lawrenceville, Georgia 30043-5868
 Tel: 770-513-8200 Fax: 770-338-5118
<http://www.wika.com> e-mail: info@wika.com