



Bourdon Tube Pressure Gauges

Welding and Compressed Gas Gauges

Painted Steel Case and Polished Brass Case

Copper Alloy Wetted Parts

Standard Series • Type 111.11

Pressure Gauges

Application

Fluid medium which does not clog connection port or corrode copper alloy. Typically welding, cutting and related processes. Any medium which oxidizes with oil based materials.

Sizes

1½", 2" and 2½" (41, 53 and 68 mm)

Accuracy

± 3/2/3% of span (ASME B40.1 Grade B)

Ranges (All ranges not stocked)

Vacuum / Compound to 30"HG / 0 / 200 PSI

Pressure from 10 PSI to 6000 PSI

or other equivalent units of pressure or vacuum

Working Range

Steady: 3/4 of full scale value

Fluctuating: 2/3 of full scale value

Short time: full scale value

Operating Temperature

Ambient: -40°F to 140°F (-40°C to 60°C)

Media: max. 140°F (+60°C)

Temperature Error

Additional error when temperature changes from reference temperature of 68°F (20°C) ±0.4% for every 18°F (10°C) rising or falling. Percentage of span.

Standard Features

- Cleaned for oxygen service
- Ranges 30 to 1,000 PSI UL-252A listed
- Ranges 1,500 to 6,000 PSI UL-404 listed; supplied with a brass restrictor in gauge socket.

Connection

Material: copper alloy

Lower mount (LM)

1/8" or 1/4" NPT limited to wrench flat area

Bourdon Tube

Material: copper alloy

15 PSI to 600 PSI C-type (low-copper content for use with acetylene)

800 PSI to 6000 PSI helical type

Movement

Copper alloy

Dial

White aluminum with stop pin and black lettering.

"USE NO OIL" in red on dial

Pointer

Black aluminum

Case

1½" gold painted steel

2" and 2½" drawn polished brass or gold painted steel.

Blow-out relief through connection opening at bottom of case

Standard Scales

PSI



UL-252A Listed

for ranges 30 psi to 1,000 psi



UL-404 Listed

for ranges 1,500 psi to 6,000 psi



Window

Twist-lock polycarbonate

Order Options (min. order may apply)

Special case colors

Special connections limited to wrench flat area

Nickel-plated socket

Black ABS case

Chrome-plated steel case

Chrome-plated ABS case

Stainless steel case

Stainless steel wetted parts (**Type 131.15**)

Monel wetted parts (**Type 161.15**)

Custom dial layout

Brass restrictor for ranges below 1500 PSI

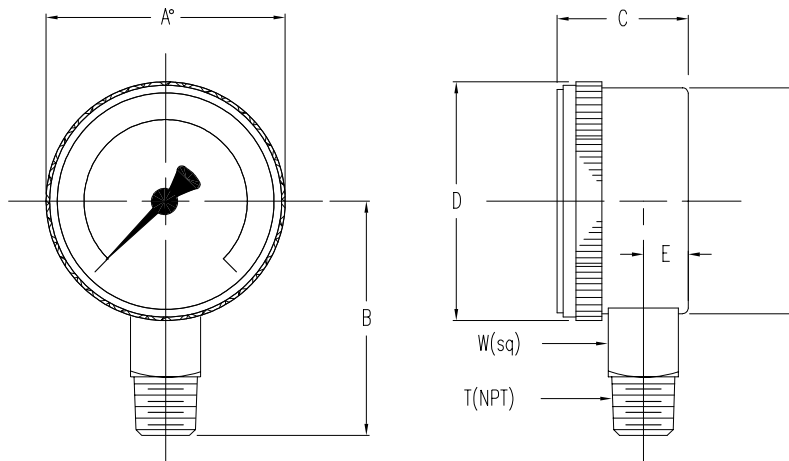
DIN standards

Other pressure scales available:

Bar, kPa, Mpa, Kg/cm² and dual scales

Center back mount (CBM) 1½", 2"

Dimensions:



A* NOMINAL SIZE

TYPE/SIZE	WEIGHT	KEY	A*	B (1)	C (2)	D	E (3)	F	T	W
111.11 1.5" LM	0.14 lbs.	mm	41	36.6	24	42.9	9	---	---	12
		in	1.5	1.44	0.94	1.69	0.35	---	1/8"	.47
111.11 2" LM	0.24 lbs.	mm	53	54	29	58	10.5	50.8	---	14
		in	2.0	2.12	1.14	2.28	0.42	2.0	1/4"	.55
111.11 2.5" LM	0.33 lbs.	mm	68	60	31	72.4	12	67.6	---	14
		in	2.5	2.36	1.22	2.85	0.47	2.66	1/4"	.55

(1) For 1/8" NPT, "B" dimension changes as follows: 2" size - 2.0" (51mm) 2½" size - 2.24" (57mm)
 (2) For 2½" painted steel case, C dimension changes to 1.14" (29mm)
 (3) For 2½" painted steel case, E dimension changes to 0.35" (9 mm)

**THE MEASURE OF
Total Performance™**

Ordering Information:

State computer part number (if available) / type number / size / range / connection size and location / options required.

Specifications given in this price list represent the state of engineering at the time of printing. Modifications may take place and the specified materials may change without prior notice



WIKAL Instrument Corporation
 1000 Wiegand Boulevard
 Lawrenceville, Georgia 30043-5868
 Tel: 770-513-8200 Fax: 770-338-5118
<http://www.wika.com> e-mail: info@wika.com