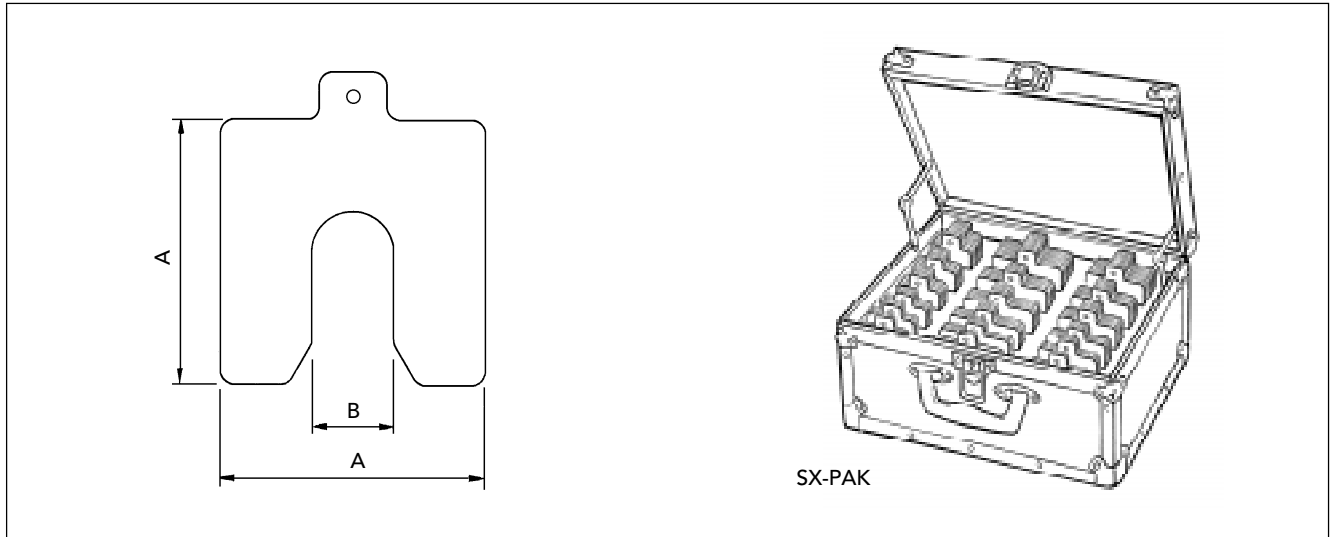


Precut shims RAYSHIM



The RAYSHIM line of shimming materials contains five different sizes, fitting almost any type of machine foot. The user can choose between solid stainless steel shims and laminated shims in both brass and stainless steel.

Solid shims in stainless steel

Solid shims can be provided in a handy box, containing 10 shims each of 5 different thicknesses, from 0.05 to 1 mm. They are also available as packs of 10 in single thickness, from 0.05 to 2.00 mm.

Laminated shims

Packs of 20 laminated shims are available in both brass and stainless steel. Each shim has a thickness of 1.00 mm, divided into 12 layers. Laminated shims always fit - just peel off the required thickness.

Case with solid shims, SX-PAK

Solid shims in stainless steel are available packaged in a convenient aluminium framed case with a compartmentalised high density foam insert. The refillable case contains 360 of the most frequently used shims, ie. the equivalent of 2 x S1-, S2- and S3-PAK plus 20 shims of each size S1, S2 and S3 in 2 mm. The case is overall 350 x 300 x 160 mm, with fully packed weight of 13 kg.

Ordering numbers

- Shimcase 1 Case with assortment of 360 shims
- Shimcase 2 Case with assortment of 510 shims
- Shimcase 3 Case with assortment of 340 shims
- Shimcase 4 Case with assortment of 720 shims

10 stainless steel shims, single thickness (mm)

Dimension A B	Ordering numbers Thickness				
	0.05	0.10	0.25	0.50	1.00
50 13	S1-005	S1-010	S1-025	S1-050	S1-100
75 21	S2-005	S2-010	S2-025	S2-050	S2-100
100 32	S3-005	S3-010	S3-025	S3-050	S3-100
125 45	S4-005	S4-010	S4-025	S4-050	S4-100
200 55	S5-005	S5-010	S5-025	S5-050	S5-100

50 stainless steel shims, 10 of each thickness

Dimension A B	Ordering numbers Thickness 0.05 to 1.00
	50 13
75 21	S2-PAK
100 32	S3-PAK
125 45	S4-PAK
200 55	S5-PAK

10 stainless steel shims, thickness 2.00 mm

Dimension A B	Ordering numbers Thickness 2.00
	50 13
75 21	S2-200
100 32	S3-200
125 45	S4-200
200 55	S5-200

Laminated shims, pack of 20, thickness 1.00 mm

Dimension A B	Ordering numbers Stainless steel	Ordering numbers Brass
	50 13	LS1-PAK
75 21	LS2-PAK	LB2-PAK
100 32	LS3-PAK	LB3-PAK
125 45	LS4-PAK	LB4-PAK
200 55	LS5-PAK	LB5-PAK

