



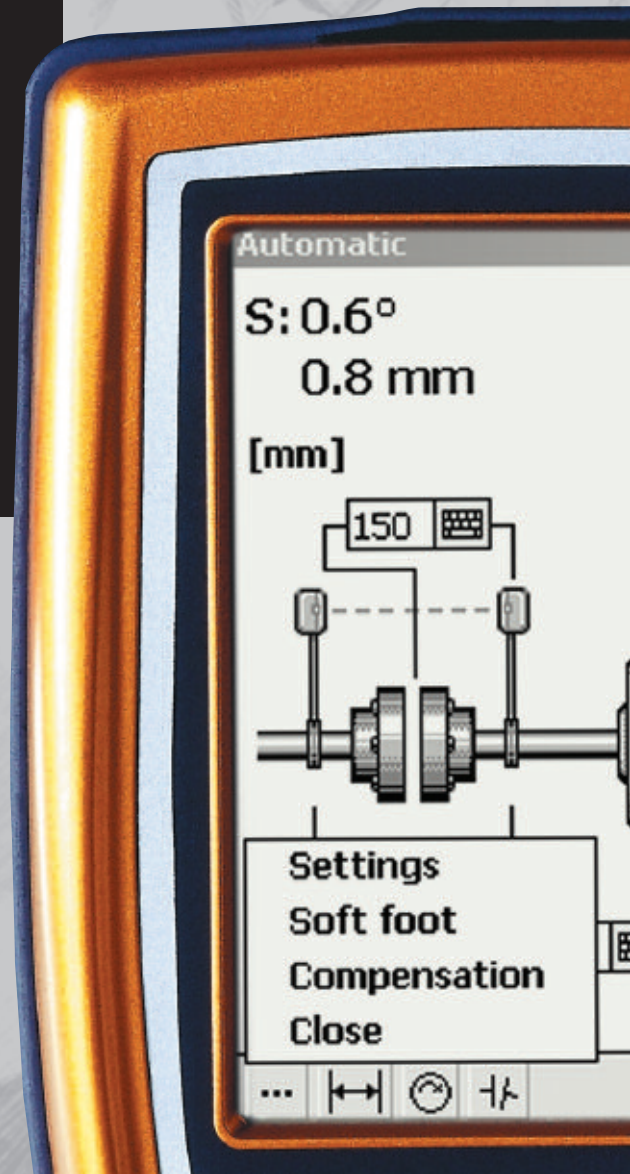
LineLazer™
by spm

State of the Art
Shaft Alignment



- fast set-up
- user-friendly interface
- immediate reliable results
- rugged design

LineLazer™
by spm



leonova
machine condition genius

LineLazer™ is the latest addition to the Leonova™ maintenance functions. This sturdy shaft alignment kit and its software present some crafty technical innovations to increase accuracy and ease of use.

Easy aiming A horizontally spread, modulated laser beam in combination with a 35 mm vertical target solves the aiming problem.

Coded light The laser beam is modulated and thus easily

and automatically distinguished from interfering light sources.

No mirrors The laser beam is not mirrored, both measuring units are true transmitters/detectors.

Less work Using precision incli-

nometers, the angle of rotation of both sensors is known at all times. This allows measurement in fully automatic mode, with much less than a half-turn of the shaft.

LineLazer™ software is configured for horizontal

and vertical shaft alignment. It measures soft foot

and uses thermal compensation.

The display is updated in real-time and the graphical

interface guides the user through the alignment

process to the easily understood results.

Like all advanced Leonova™ functions, LineLazer™ can be

bought on a 'pay on use' basis.

